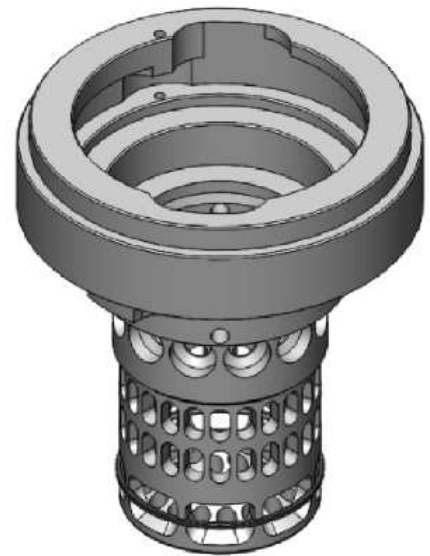
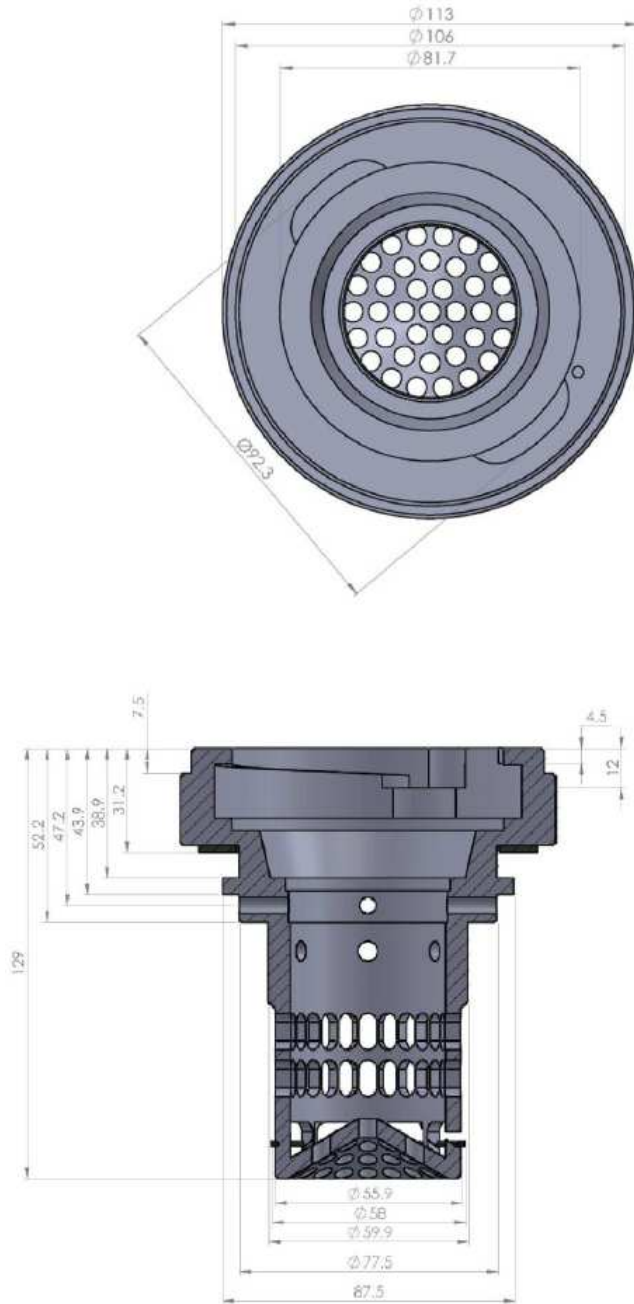


Technical Information



Use these dimensions to confirm the product will fit your vehicle



Technical Details	
Neck Fitting	Material
Double Bayonet	Aluminium

Device supplied with grub screws, a seal, a security collar, a spring pin, an external circlip, and fitting instructions

Technical Information

Bus Models Fitted

Manufacturer	Models
BOVA	All Models
Mercedes-Benz	All Mercedes-Benz busses (including vehicles with plastic tanks)
Optare	250 (Spectra)

Construction Vehicles Fitted

Manufacturer	Models
Hamm	Rollers: GRW18, Z520D
Liebherr	924, A904, R904, HDSC, L580
O & K	25.2, F156, MH6 5
Titan	6870
Vogele	Super 700
Hitachi	ZX250
Ammann	ASC150

Truck Models Fitted

Manufacturer	Models
DAF	CF65 (Metal Tank), CF75, CF85, XF95, XF105, 250 (Spectra)
ERF	ECT
Foden	All Models
IVECO	EuroCargo (metal tank), EuroStar, EuroTech, Stralis, Trakker
Kamaz	Specific models, contact Truck Protect for details
MAN	All Models (Including Neoplan)
Mercedes-Benz	All Mercedes-Benz trucks (including vehicles with plastic tanks)
Renault	Kerax, Magnum, Midlum (Metal Tank), Premium
Volvo	F12, F16, FH, FL6, FM, NH

Specifications of the Packaged Product / Carton / Pallet¹

No. of Units Within an Outer Carton	8	Number of Cartons per Pallet	N/A
Weight per Individual Boxed Unit	0.69 Kg	Dimensions of a Packaged Unit	12x12x15cm
Weight of Outer Carton	6.10 Kg	Dimensions of Outer Carton	50x27x18cm
Weight of Pallet	N/A	Dimensions of Pallet	N/A